



LEFROY BROOKS

1 8 2 8 T R O U T M A N S T R E E T
R I D G E W O O D N E W Y O R K N Y 1 1 3 8 5 U S A
T: +1(718) 302 5292 F: +1(718) 302 4177

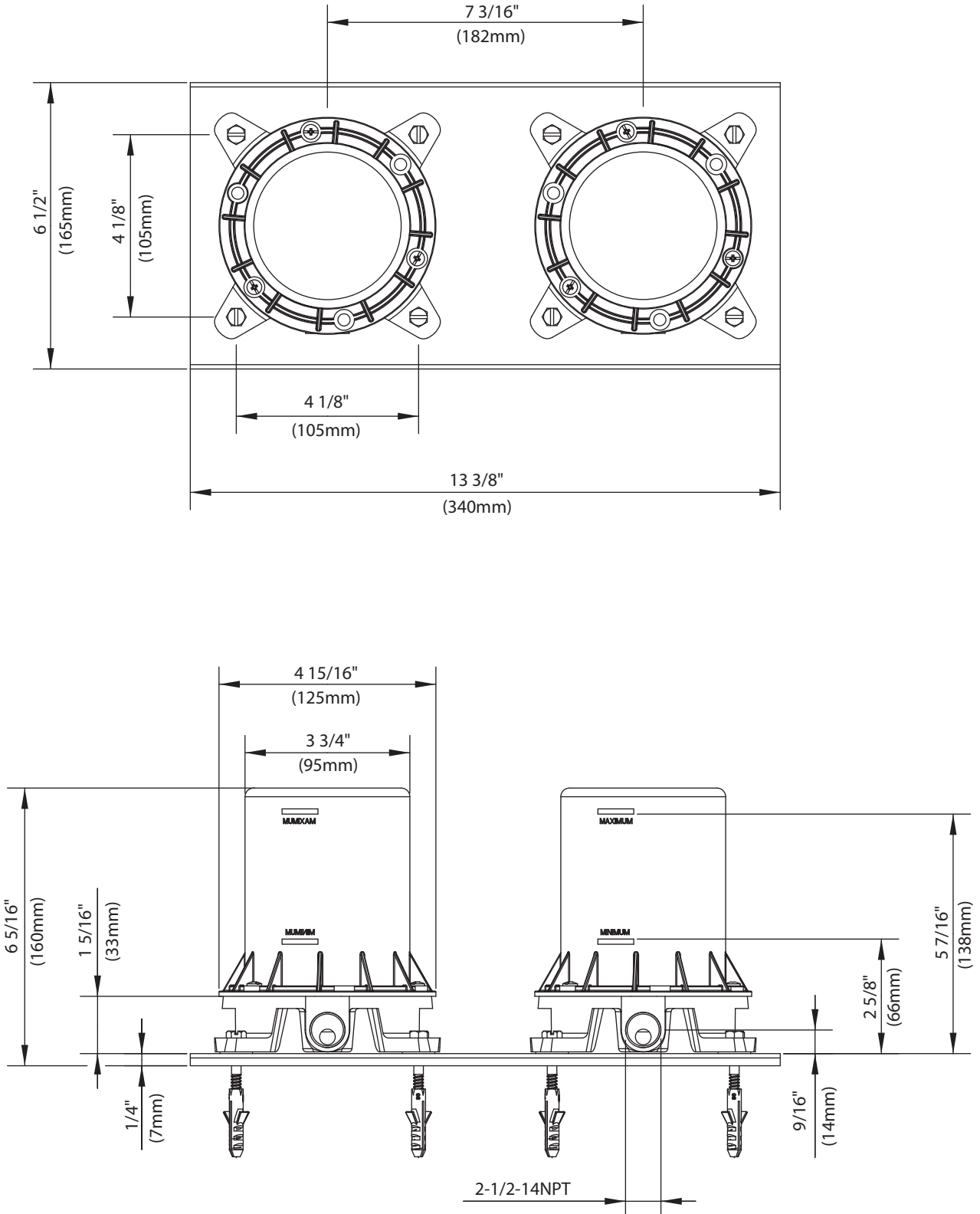
R1-4212

DOUBLE-MOUNTED BATH SHOWER MIXER ROUGHS, FOR USE WITH
C1-2664 & C1-2666 STANDPIPES

DIMENSIONAL DATA SHEET

DATE: 27 January 2016

No: A661944



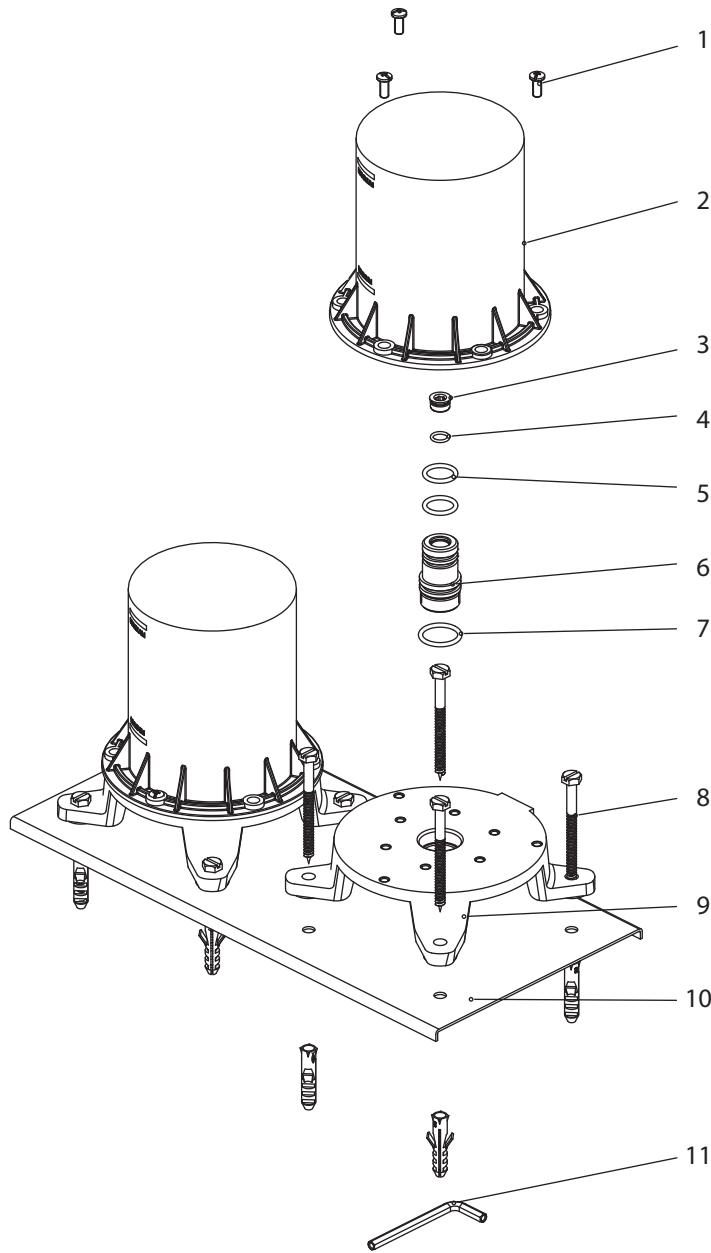
©COPYRIGHT 2009. CHRISTO LEFROY BROOKS. ALL RIGHTS RESERVED.

DIMENSIONS IN INCHES & MILLIMETRES

WHILST EVERY EFFORT IS MADE TO ENSURE THE ACCURACY OF THESE DATA SHEETS THEY ARE SUBJECT TO CHANGE WITHOUT NOTICE AS PART OF THE COMPANY'S PRODUCT DEVELOPMENT PROCESS

R1-4212

DOUBLE-MOUNTED BATH SHOWER MIXER ROUGHS, FOR USE WITH C1-2664 & C1-2666 STANDPIPES

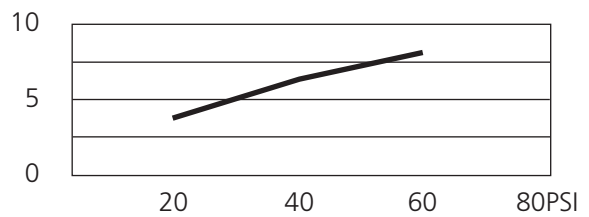


- | | | | | | |
|---|----------------------------|---|---------------------|----|---------------------|
| 1 | Screw (292407) | 5 | O-ring (072095) | 9 | Body (066106) |
| 2 | Protective cap (038108-50) | 6 | Aaptor (057730) | 10 | Base plate (006149) |
| 3 | Plug (028211) | 7 | O-ring (004028N) | 11 | Allen key (031213) |
| 4 | O-ring (072060N) | 8 | Fixing lit (290610) | | |

Standards

Meets A112.18.1

Flow Rate



Please note :
Final achievable flow rate is dependent on the outlets fitted, see relevant outlets (spouts, roses, sprays) for fully assembled product flow rate.